



**7 YEAR
WARRANTY**

**HIGH
EFFICIENCY**



SKU	Watts	lm/W	Lumens	Colour	Beam
CRI80					
AA-TSR328036-30*	32W	138	4400lm	3000K	36°
AA-TSR328036-35*	32W	139	4450lm	3500K	36°
AA-TSR328036-40*	32W	140	4480lm	4000K	36°
CRI90					
AA-TSR329036-30*	32W	130	4160lm	3000K	36°
AA-TSR329036-35*	32W	131	4200lm	3500K	36°
AA-TSR329036-40*	32W	132	4230lm	4000K	36°

*Add suffix **W** or **BLK** for White or Black finish

Replace 36 with 24 or 50 in sku code for alternative beam angle options

Triac, Dali, 1-10V dimmable & EM options available, contact sales office for more information

Reflectors

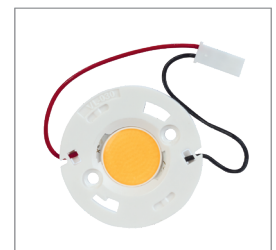
Cat. No.	Beam	Watts
AA-TSRA3224	24°	32W
AA-TSRA3236	36°	32W
AA-TSRA3250	50°	32W

Colour options:



Black White

EnFiniti[™]



Replaceable COB
at end of life (Zhaga)

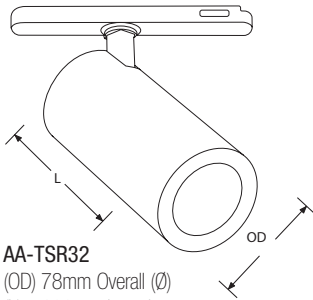


Replaceable driver



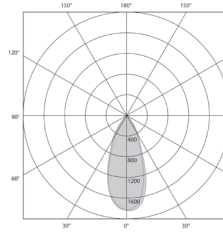
24°, 36° and 50° beam
angle options available

Line Drawing

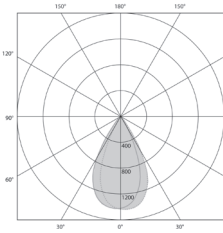


Polar Curves

CRI 80 36° 3000K



CRI 80 50° 3000K



Product Features:

- Compact styling with powerful outputs, Ray[™] is ideal for retail and display lighting
- Delivering up to 140lm/W
- CRI 90 available for high colour rendering accuracy
- 24°, 36° and 50° beam angle options available
- Dimmable versions available on request
- 355° rotation and 90° horizontal adjustment
- Flicker free
- 2kV surge protection

Product Specification:

Installation Type	3 Circuit Track
Input Voltage	220 - 240V
Luminaire Materials	Die Cast Aluminium
Lifetime	50000
CRI	80 & 90
IK Rating	IK08
IP Rating	IP20
Warranty	7 Years

Warranty:

This product has a warranty period of 7 Years. Warranties may be available on certain products as indicated in the product description. Warranties are valid from the date of purchase. The warranty is invalid in the case of improper use, installation, tampering, removal of the Q.C. date label or installation in an improper working environment or installation. Should this product fail during the warranty period it will be replaced free of charge, subject to the correct installation of the original product and subsequent return of the faulty unit. Aurora does not accept responsibility for any installation costs associated with the replacement of this product and Aurora reserve the right to alter.